

4

3

2

1

D

D

C

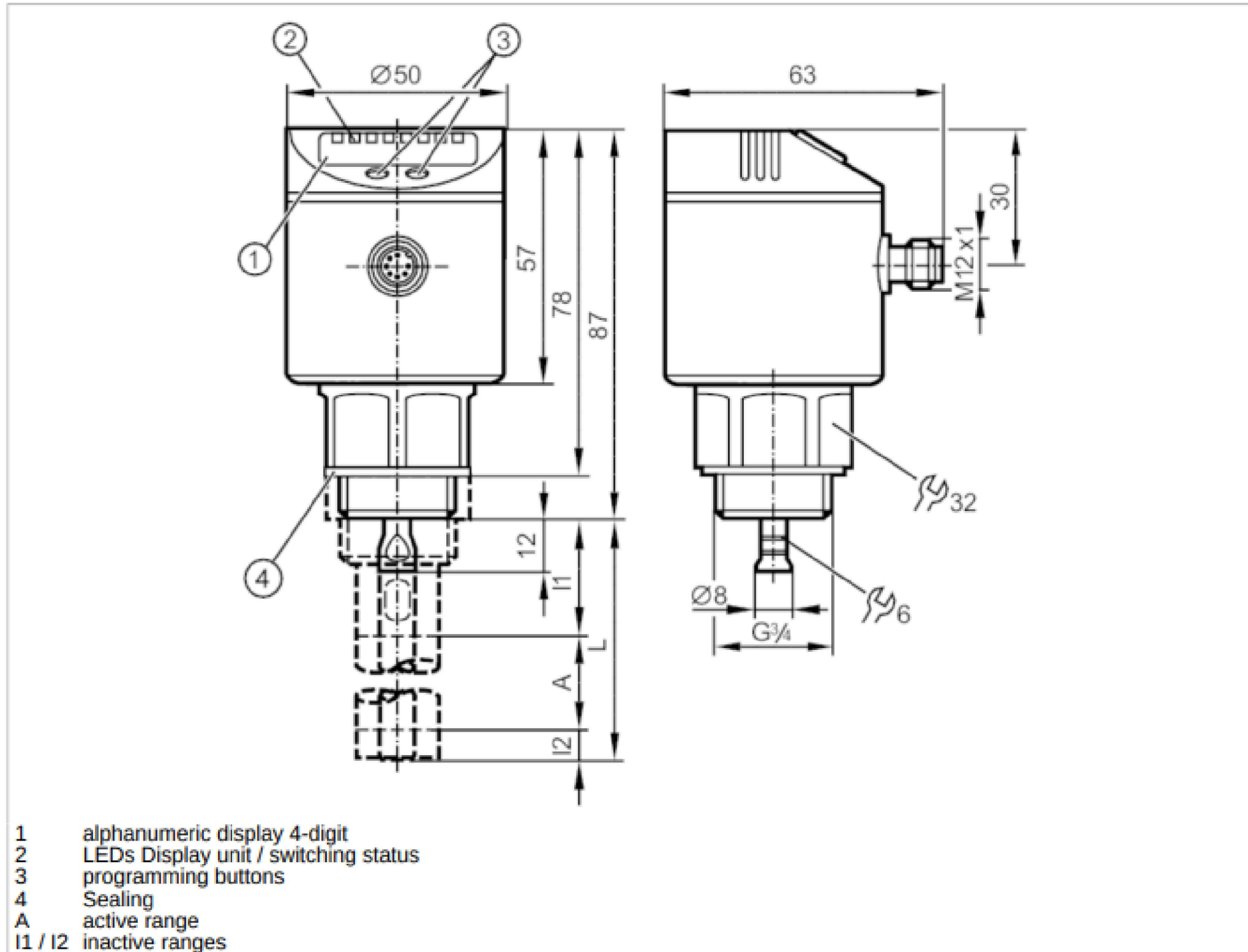
C

B

B

A

A



- 1 alphanumeric display 4-digit
- 2 LEDs Display unit / switching status
- 3 programming buttons
- 4 Sealing
- A active range
- I1 / I2 inactive ranges

THIS DRAWING AND THE INFORMATION CONTAINED HEREIN ARE CONFIDENTIAL AND THE EXCLUSIVE PROPERTY OF GFG PEABODY. REPRODUCTION/COPYING OR DISCLOSURE OF THIS DRAWING TO OTHERS WITHOUT GFG PEABODY'S WRITTEN PERMISSION IS PROHIBITED. THIS DRAWING, AND ANY COPIES THEREOF, SHALL IMMEDIATELY BE RETURNED TO GFG PEABODY UPON REQUEST BY GFG PEABODY. IN FURNISHING THIS DRAWING, GFG PEABODY GRANTS NO RIGHTS OR LICENSES NOR MAKES ANY REPRESENTATIONS OR WARRANTIES REGARDING THIS DRAWING OR THE ACCOMPANYING INFORMATION. THE CONTENTS OF THESE DRAWINGS MAY BE PROTECTED BY UNITED STATES AND/OR FOREIGN COPYRIGHTS OR PATENTS.

STANDARD TOLERANCES UNLESS OTHERWISE SPECIFIED
 1 PL ±.10"
 2 PL ±.02"
 3 PL ±.004" ±.10mm
 ANGLE ± 1/2°

DRAWN	OAP	8/27/25
CHECKED		
APPROVED		
AS BUILT		
PROJECT NO. / WORK ORDER		
REF DWG		
3RD ANGLE PROJ		

		N53 W24900 S. Corporate Circle Sussex, WI 53089 262.372.4515	
TITLE			
SENSOR LEVEL			
SIZE	DIMENSIONS INCH [MM]	DWG NO	REV
		E250-4804	
SCALE	NTS	DO NOT SCALE DRAWING	SHEET

REV	DESCRIPTION	DATE	APPROVED

4

3

2

1