

4

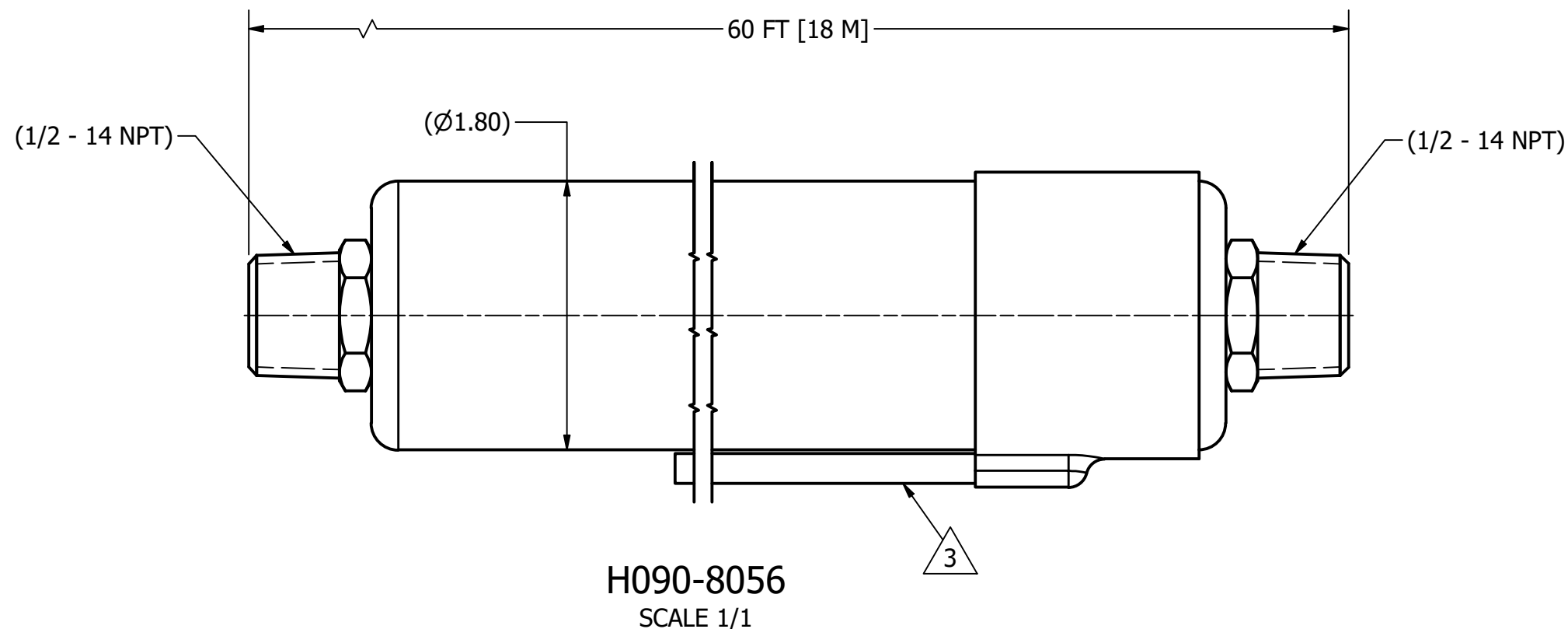
3

2

1

NOTES:

- 1. ANSI/ASME Y14.5-1994 STANDARDS APPLY WITH EXCEPTIONS LISTED IN THE GFG PEABODY CAD STANDARDS DOCUMENT.
- 2. SPECS: SS 1/2-14 NPT MALE BOTH ENDS; 240 VAC, 30 WATT PER FOOT; 250F, RTD, POLYESTER BRAID; MAX 1312 PSI AT 450F; 15" MIN BEND RADIUS.
- 3. POWER/RTD CORD WITH FLYING LEADS WHERE SHOWN, 5 FT [1.5 M] LENGTH.
- 4. REPRESENTATION ONLY FOR DOCUMENTATION.



EST. WEIGHT: N/A

THIS DRAWING AND THE INFORMATION CONTAINED HEREIN ARE CONFIDENTIAL AND THE EXCLUSIVE PROPERTY OF GFG PEABODY. REPRODUCTION/COPYING OR DISCLOSURE OF THIS DRAWING TO OTHERS WITHOUT GFG PEABODY'S WRITTEN PERMISSION IS PROHIBITED. THIS DRAWING, AND ANY COPIES THEREOF, SHALL IMMEDIATELY BE RETURNED TO GFG PEABODY UPON REQUEST BY GFG PEABODY. IN FURNISHING THIS DRAWING, GFG PEABODY GRANTS NO RIGHTS OR LICENSES NOR MAKES ANY REPRESENTATIONS OR WARRANTIES REGARDING THIS DRAWING OR THE ACCOMPANYING INFORMATION. THE CONTENTS OF THESE DRAWINGS MAY BE PROTECTED BY UNITED STATES AND/OR FOREIGN COPYRIGHTS OR PATENTS.

STANDARD TOLERANCES UNLESS OTHERWISE SPECIFIED
 1 PL ± .10"
 2 PL ± .02"
 3 PL ± .004" ± .10mm
 ANGLE ± 1/2°

DRAWN	JEM	3/5/2025
CHECKED	TPP	3/5/2025
APPROVED	TPP	3/5/2025
AS BUILT		

PROJECT NUMBER / WORK ORDER
N/A

REF DWG
N/A

3RD ANGLE PROJ

GFG Peabody N53 W24900 S. Corporate Circle
 Sussex, WI 53089 262.372.4515

TITLE
ASSY, HEATED PTFE HOSE

SIZE B	DIMENSIONS INCH [MM]	DWG NO H090-8056	REV -
------------------	-------------------------	----------------------------	----------

SCALE 1/1 DO NOT SCALE DRAWING SHEET 1 OF 1

-	PRODUCTION RELEASE	3/5/2025	TPP
REV	DESCRIPTION	DATE	APPROVED

4

3

2

1