



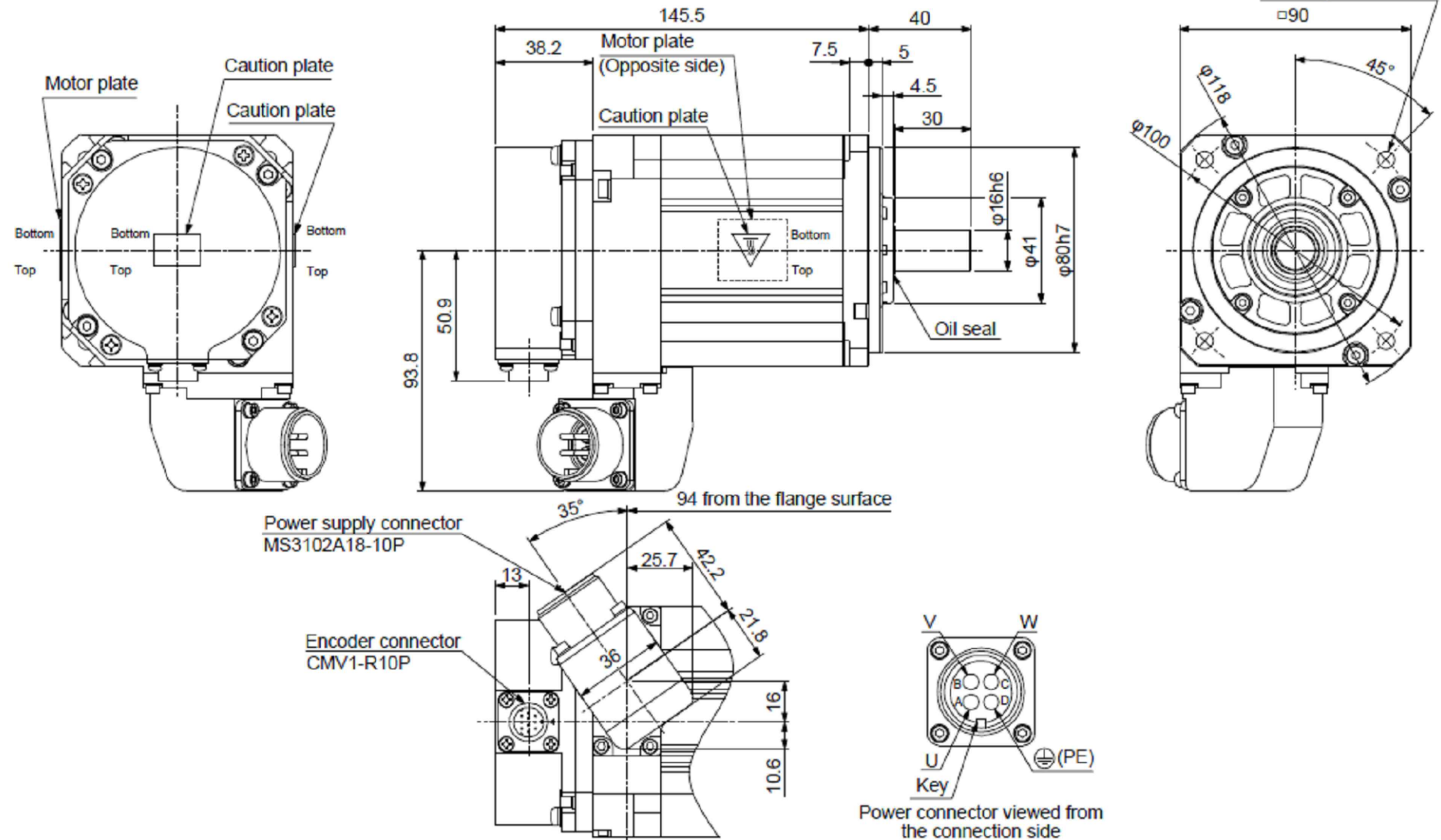
**MOTOR, AC SERVO  
(METERING PUMPS)**

**SPECIFICATIONS:**  
 SERVO MOTOR, LOW INERTIA  
 MEDIUM-LARGE CAPACITY  
 RATED SPEED: 3000 RPM  
 POWER: 0.75 kW  
 VOLTAGE: 400 VAC (3 PH.)

**INSTALLATION / SPECIAL NOTES:**

Output [kW]	Moment of inertia J [ $\times 10^{-4}$ kg·m <sup>2</sup> ]	Mass [kg]
0.75	2.09	3.7

[Unit: mm]



REV	DESCRIPTION	DATE	APPROVED
-	-	-	-
-	-	-	-

REVISIONS	STANDARD TOLERANCES UNLESS OTHERWISE SPECIFIED	DIMENSIONS INCH [MM]		Sussex, Wisconsin (262) 372-4515
	DECIMAL DIMENSIONS: ONE PLACE ±.10" ±2.5mm TWO PLACE ±.02" ±0.5 mm THREE PLACE ±.004" ±0.10 mm ANGLE ±1/2° ±1/2°	CHECKED BY	PROJECT ENG.	
	CONFIDENTIAL THIS DRAWING AND THE INFORMATION CONTAINED HEREIN ARE CONFIDENTIAL AND THE EXCLUSIVE PROPERTY OF GENCOAT INC. REPRODUCTION/COPYING OR DISCLOSURE OF THIS DRAWING TO OTHERS WITHOUT GENCOAT'S WRITTEN PERMISSION IS PROHIBITED. THIS DRAWING, AND ANY COPIES THEREOF, SHALL IMMEDIATELY BE RETURNED TO GENCOAT UPON REQUEST BY GENCOAT. IN FURNISHING THIS DRAWING, GENCOAT GRANTS NO RIGHTS OR LICENSES NOR MAKES ANY REPRESENTATIONS OR WARRANTIES REGARDING THIS DRAWING OR THE ACCOMPANYING INFORMATION. THE CONTENTS OF THESE DRAWINGS MAY BE PROTECTED BY UNITED STATES AND/OR FOREIGN COPYRIGHTS OR PATENTS.	DRAWN BY TPP	DATE 4/09/19	MOTOR, AC SERVO, OILER OUTLINE DRAWING
		REFERENCE NO. ORG. WORK ORDER NO. 618010	SCALE: N/A	DWG NO. E160-4243

3RD ANGLE PROJECTION