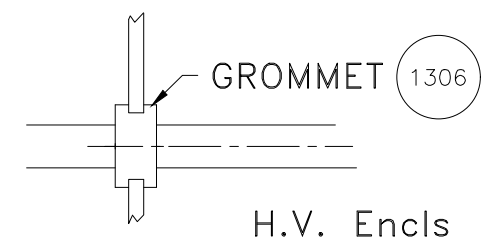
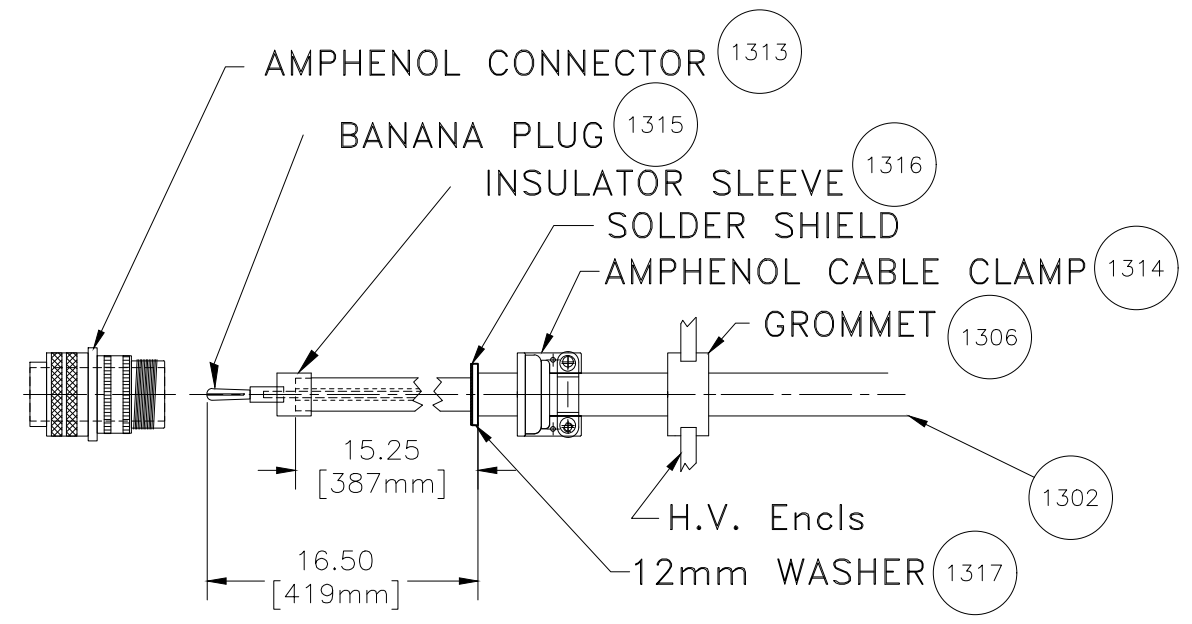


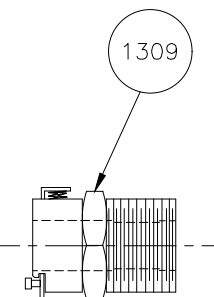
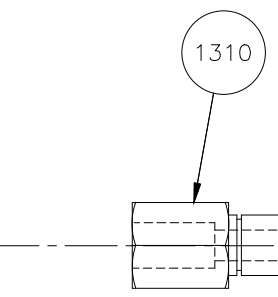
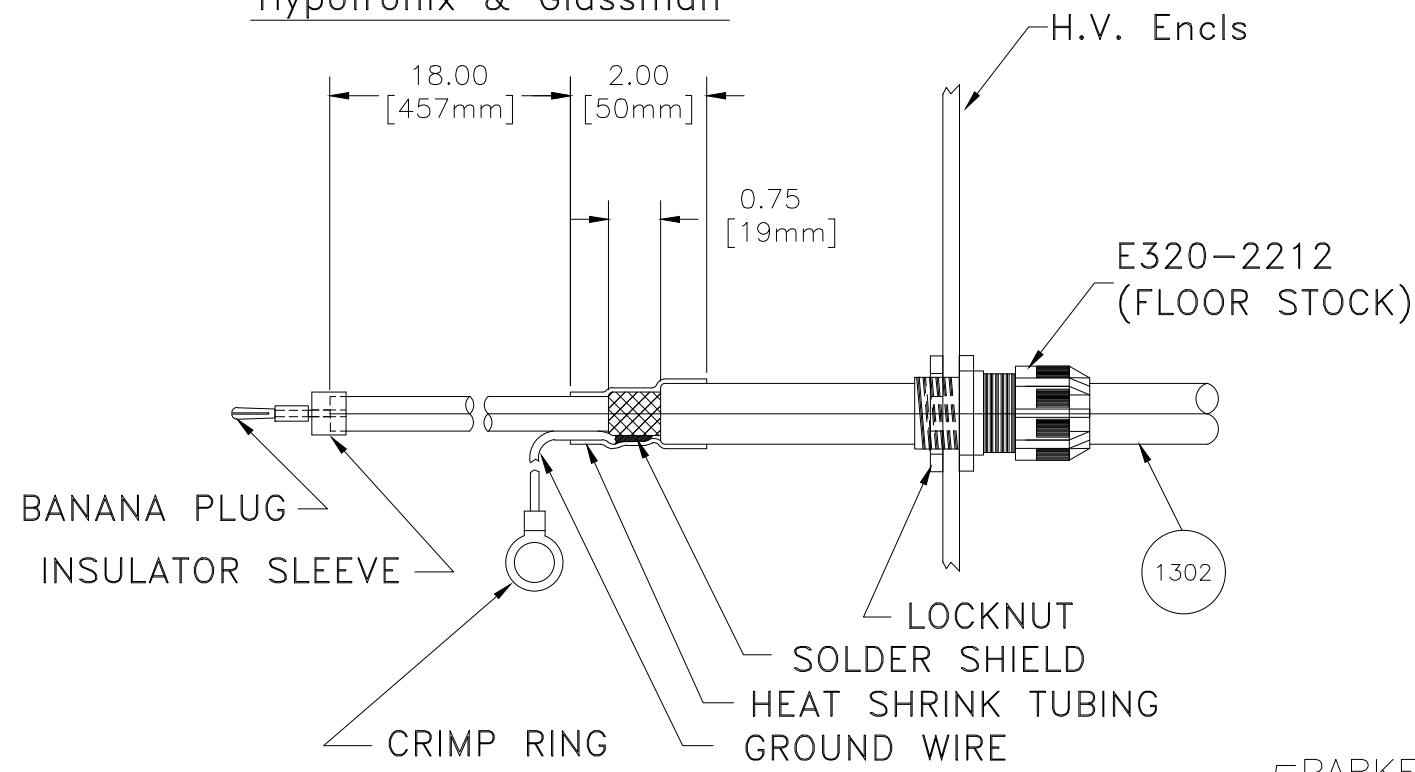
Hypotronix & Glassman



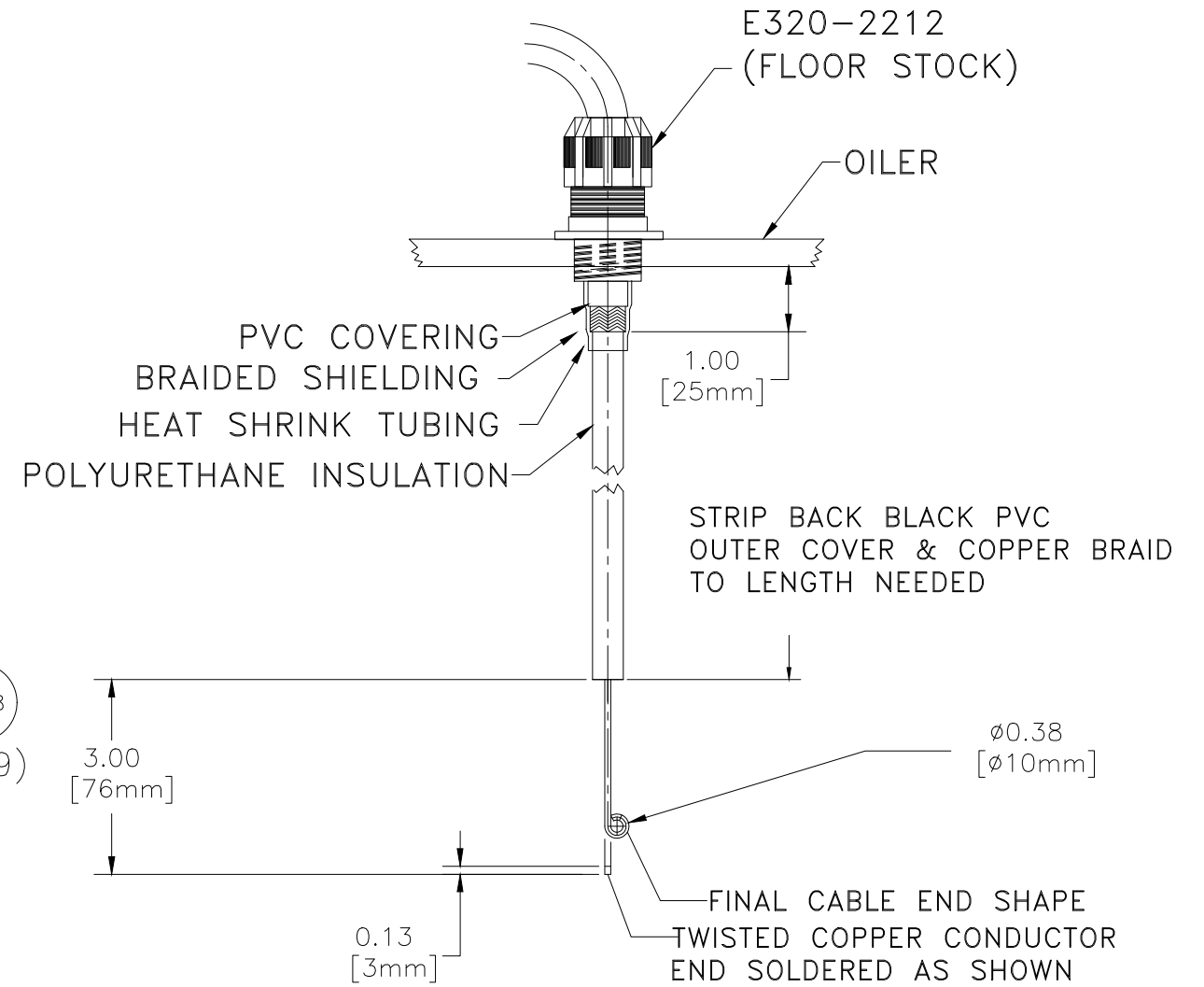
Spellman with Encls Grommet (if required)



Spellman with Amphenol Connector



SPRAY BLADE HIGH VOLTAGE CONNECTOR



Connection From Enclosure to Blade

UNLESS OTHERWISE SPECIFIED				 GFG CORPORATION High Voltage Cable Kit
TOLERANCES: MACHINED SURFACES: 125 RMS FRACTIONAL DIM. 1/32" ANGLES 1/2" DECIMAL DIMENSIONS X = ±0.005" ± 0.15mm XX = ±0.002" ± 0.075mm XXX = ±0.001" ± 0.038mm XXXX = ±0.0005" ± 0.012mm				
D	9/23/21	OAP	BUBBLES AND COMPONENTS REVISED	DO NOT SCALE DRAWN: RHS SCALE: No Scale APPROVED:
C	4/19/04	RFA	BUBBLE #'S ADDED	
REV#	DATE	BY	ECN	DESCRIPTION
				DWG NO: 13D0030