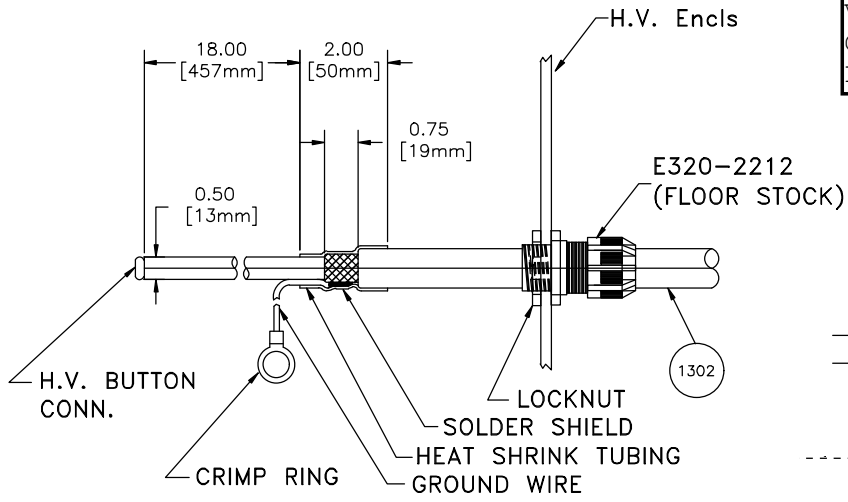
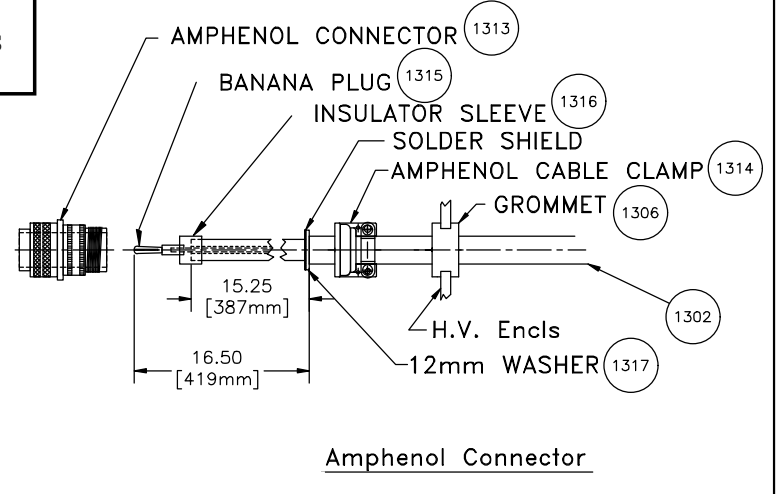
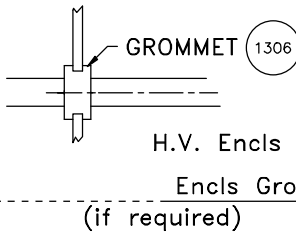


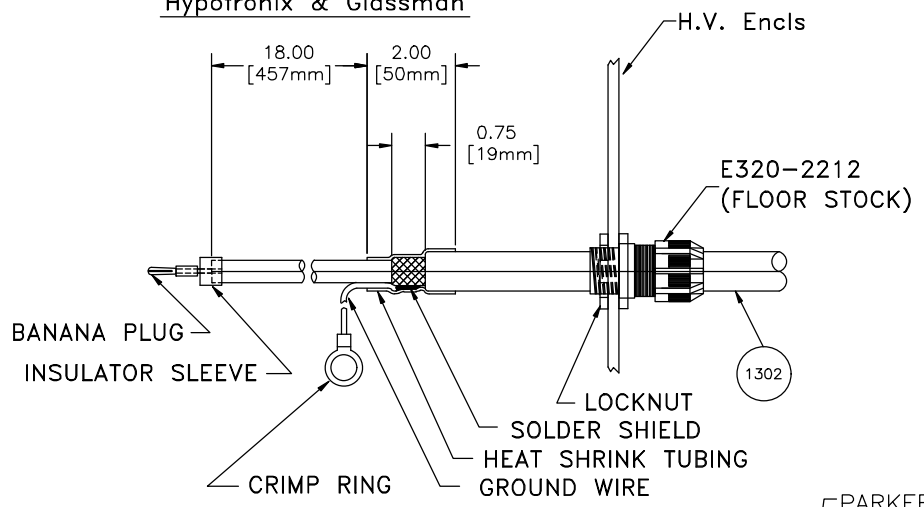
VOLTAGE: 0 TO 125KV  
 CURRENT: 2.3 MILLIAMPS  
 LENGTH: 50 FT



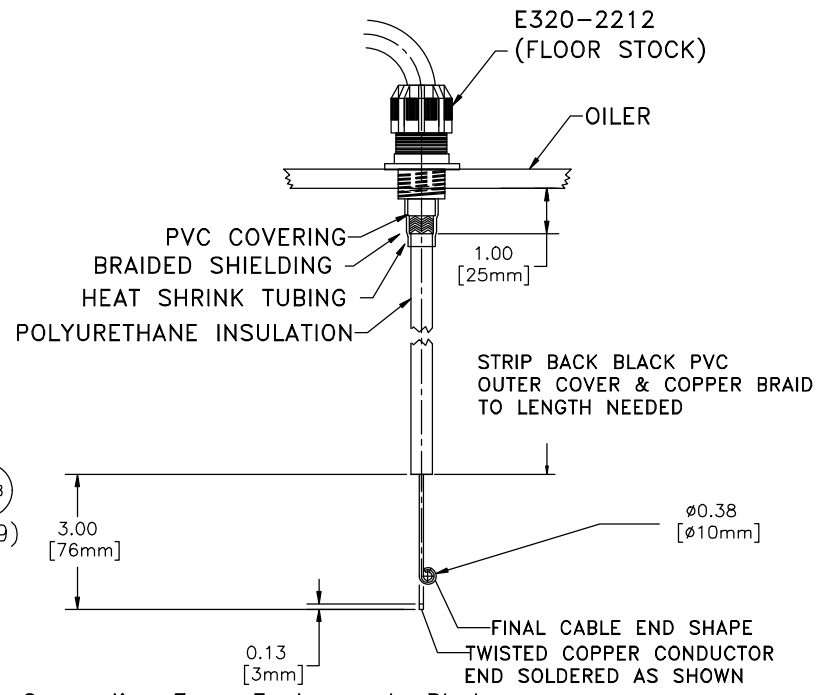
Hypotronics & Glassman



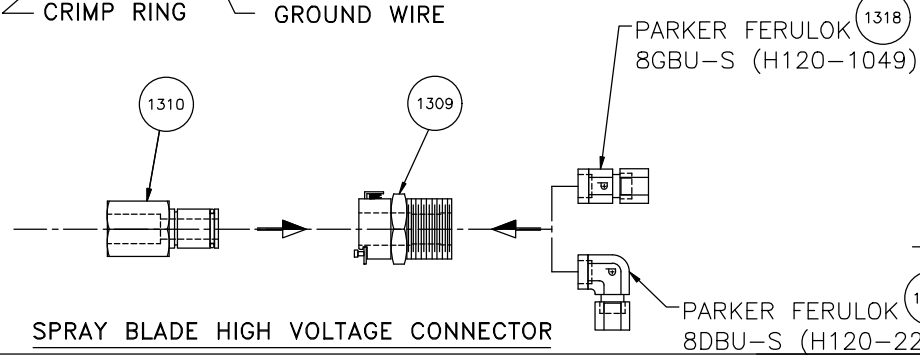
Amphenol Connector



SPRAY BLADE HIGH VOLTAGE CONNECTOR



Connection From Enclosure to Blade



REV#	DATE	BY	EON	DESCRIPTION
D	9/25/21	GAP		BUBBLES AND COMPONENTS REVISED
C	4/19/04	RFA		BUBBLE #'S ADDED

UNLESS OTHERWISE SPECIFIED

TELESPINER  
 FINISHED SURFACES TO THE  
 FRACTIONAL IN. 45° ANGLE 16/2°

DECIMAL DIMENSIONS  
 1" = 25.400" ± 0.005"  
 1/16" = 1.5875" ± 0.002"  
 1/32" = 0.79375" ± 0.001"

DD NET SCALE

SCALE: No Scale  
 DATE: 5/8/98

ING. NO. 13000 30-50 FT

GFG CORPORATION  
 High Voltage  
 Cable Kit