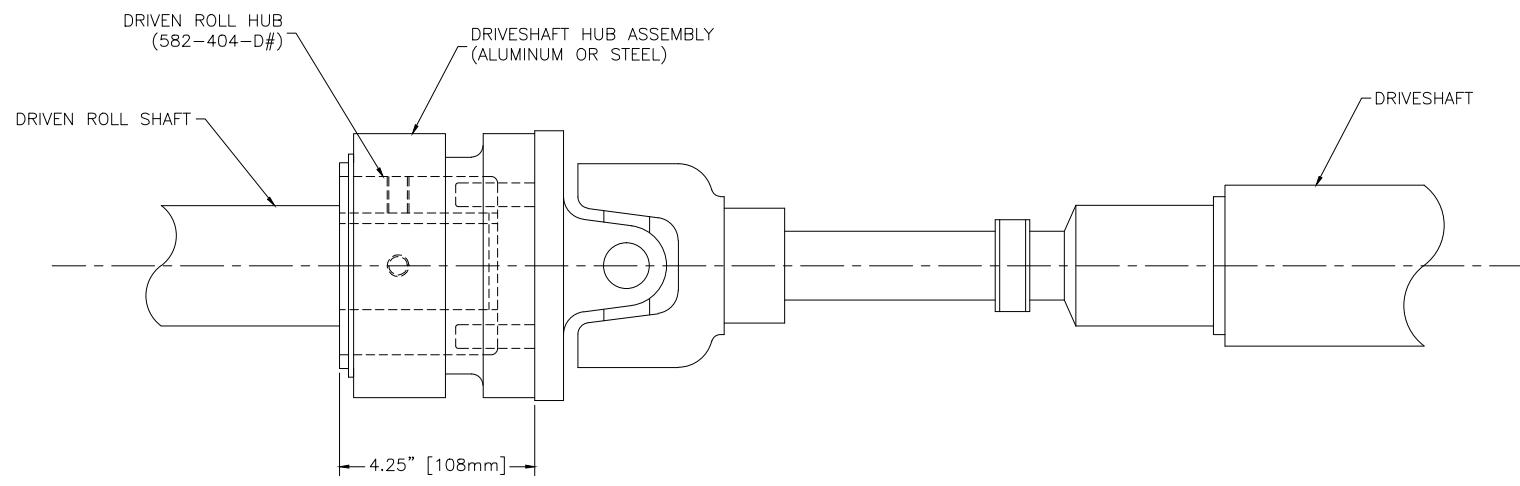
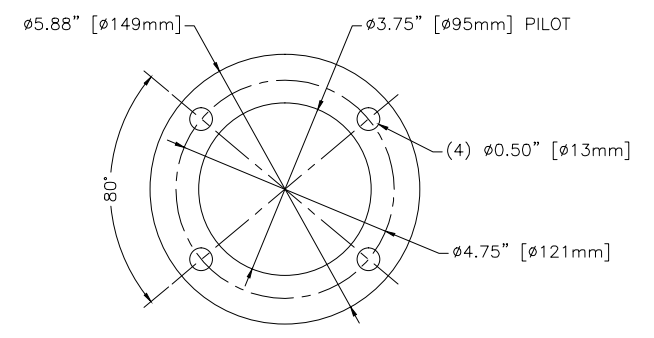
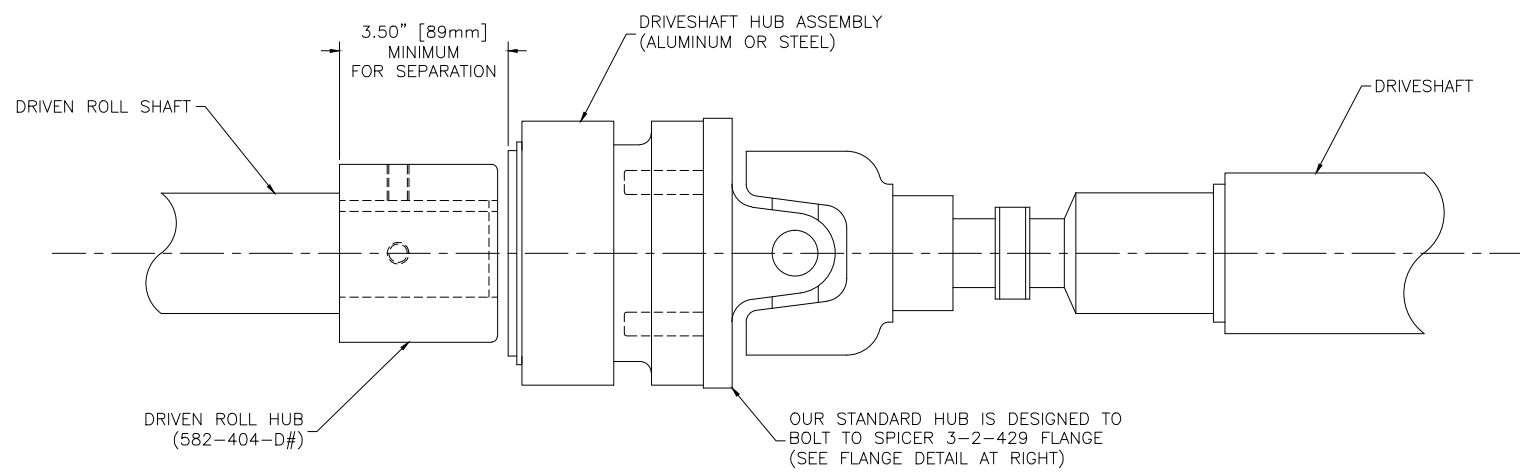


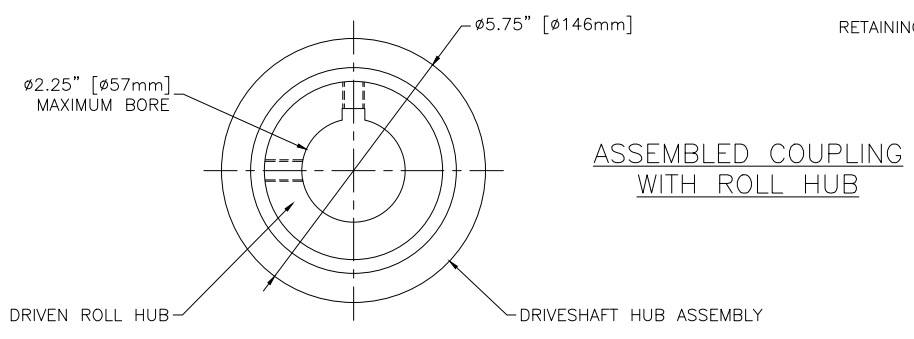
COUPLED CONDITION



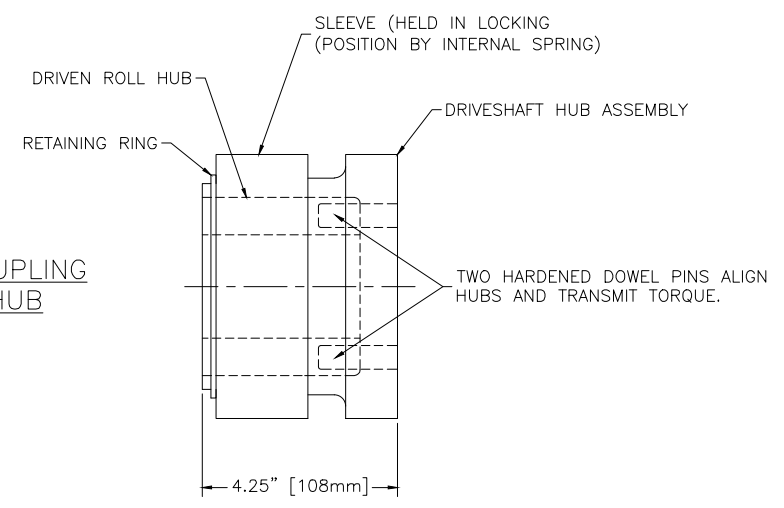
UNCOUPLED CONDITION



STANDARD FLANGE DETAIL



ASSEMBLED COUPLING WITH ROLL HUB



NOTES:
 COUPLING TORQUE RATING: 30,000 IN-LBS [3,390 N-M]
 DRIVESHAFT HUB ASSEMBLY AVAILABLE IN ALUMINUM OR STEEL
 ROLL HUB AVAILABLE ONLY IN STEEL
 DRIVESHAFT HUB ASSEMBLY ONLY WEIGHT:
 ALUMINUM = 6.1 LBS [2.77 KGS]
 STEEL = 14.2 LBS [6.44 KGS]
 THIS OUTLINE REPRESENTS THE ONLY STYLE OF THIS COUPLING THAT GFG CURRENTLY OFFERS AS STANDARD. ANY CHANGES TO OUR STANDARD DESIGN WILL INCUR ENGINEERING FEES.
 GFG HOLDS PATENT 9267547 ON THIS PRODUCT.

STANDARD TOLERANCES UNLESS OTHERWISE SPECIFIED DECIMAL DIMENSIONS: ONE PLACE ±.10" TWO PLACE ±.02" THREE PLACE ±.004" ANGLE ±0.10 mm	DIMENSIONS INCH [MM]		GFG Sussex, Wisconsin (262) 691-0400	
	CHECKED BY	PROJECT ENG.		TITLE
	DRAWN BY	DATE	SCALE:	DWG NO.
	REFERENCE NO.	582-004-D	1:2	582-404-D OUTLINE
THIS DRAWING AND THE INFORMATION CONTAINED HEREIN ARE CONFIDENTIAL AND THE EXCLUSIVE PROPERTY OF GFG. REPRODUCTION, COPIING OR DISCLOSURE OF THIS DRAWING TO OTHERS WITHOUT GFG'S WRITTEN PERMISSION IS PROHIBITED. THIS DRAWING, AND ANY COPIES THEREOF, SHALL IMMEDIATELY BE RETURNED TO GFG UPON REQUEST BY GFG. IN FURNISHING THIS DRAWING, GFG GRANTS NO RIGHTS OR LICENSES NOR MAKES ANY REPRESENTATIONS OR WARRANTIES REGARDING THIS DRAWING OR THE ACCOMPANYING INFORMATION. THE CONTENTS OF THESE DRAWINGS MAY BE PROTECTED BY UNITED STATES AND/OR FOREIGN COPYRIGHTS OR PATENTS.			DO NOT SCALE DRAWING SHEET: 1 OF 1	

REV	DESCRIPTION	DATE	APPROVED