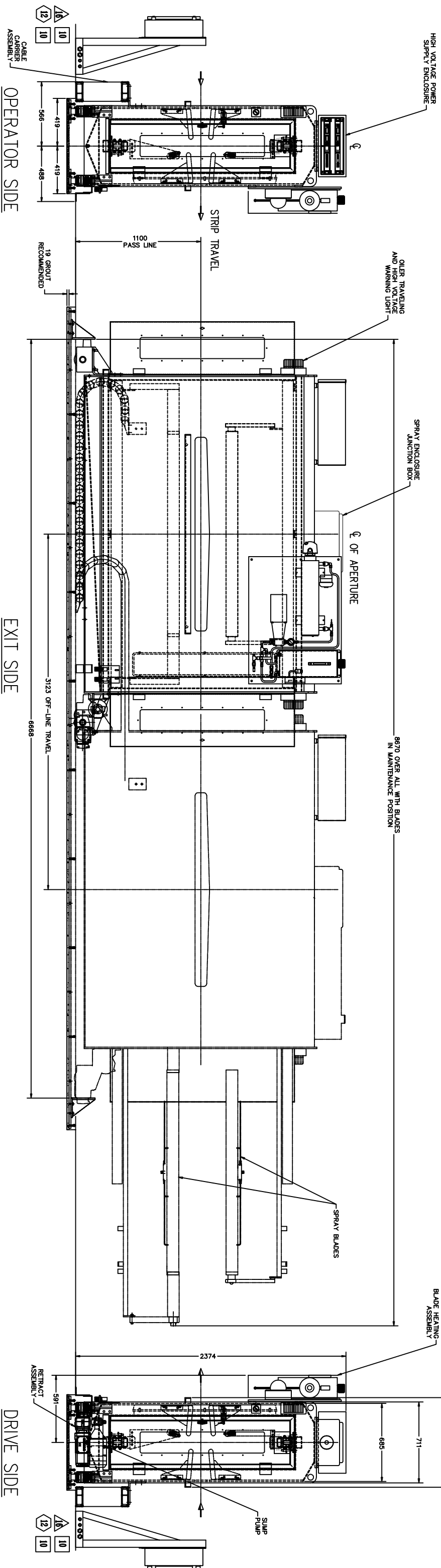
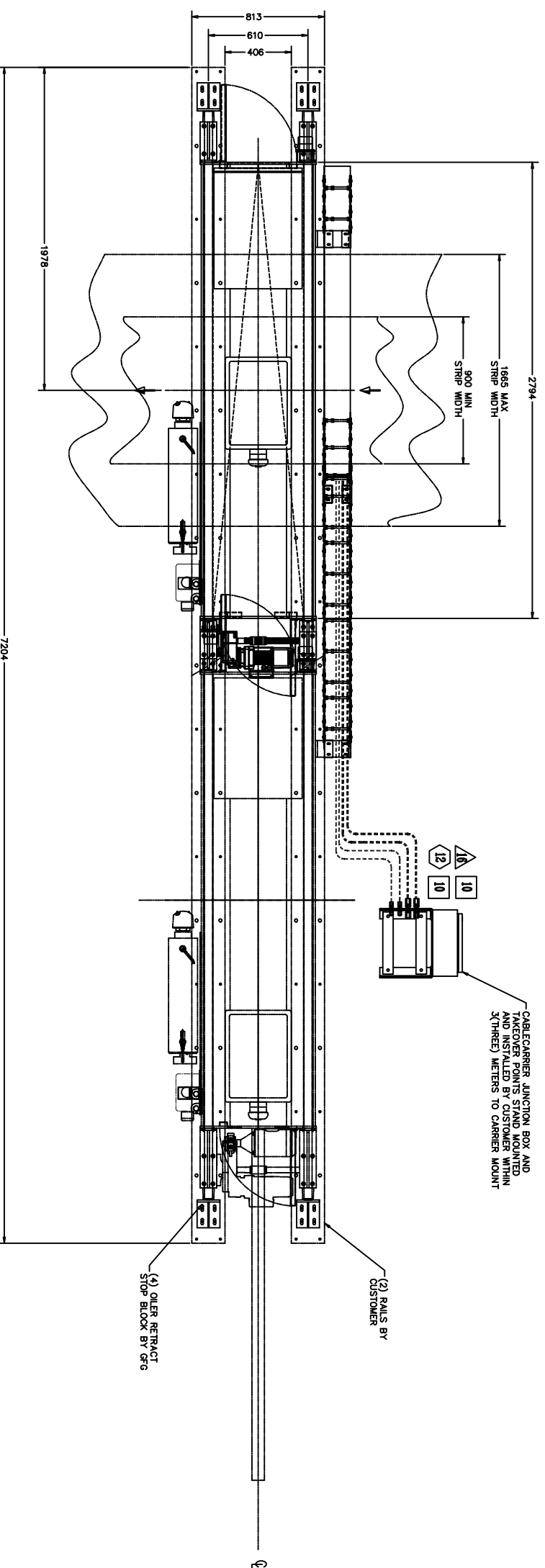


- LEGEND:**
- △ CUSTOMER OIL TAKE OVER POINTS
16mm OUTSIDE DIAMETER PARKER
"ERMETO-S" SERIES BITE TYPE
FITTING TO DIN No.2353
 - ⑫ CUSTOMER AIR TAKE OVER POINT
12mm OUTSIDE DIAMETER PARKER
"ERMETO-S" SERIES BITE TYPE
FITTING TO DIN No. 2353
 - ⑩ CUSTOMER OIL TAKE OVER POINTS
10mm OUTSIDE DIAMETER PARKER
"ERMETO-S" SERIES BITE TYPE
FITTING TO DIN No. 2353



LINE SPECIFICATION:

LINE SPEED 30-380mpm
 THICKNESS 0.25-2.0mm
 STRIP WIDTH 900-1665mm
 COATING WIDTH 1700mm
 COATING WEIGHT 300-3000mg/m²

ESTIMATED WEIGHT:
 FOR OILER SPRAY ENCLOSURE - 5200 lb (2400 kg);

REV	DESCRIPTION	DATE	APPROVED

REVISIONS		DIMENSIONS		TITLE	
UNLESS OTHERWISE SPECIFIED	DECIMAL DIMENSIONS	INCH	[MM]	pedbody	
FRAC. PLACE	3/16"	3.18	0.125	Sussex, Wisconsin	
NAME PLACE	1/8"	3.18	0.125	(262) 691-0400	
	1/4"	6.35	0.25	GENERAL ASSEMBLY,	
	3/8"	9.53	0.375	ELECTROSTATIC OILER	
	1/2"	12.7	0.5	SCALE: DWG NO. GA-0001	
	3/4"	19.05	0.75	SHEET: 1 OF 1	
	1"	25.4	1.0		