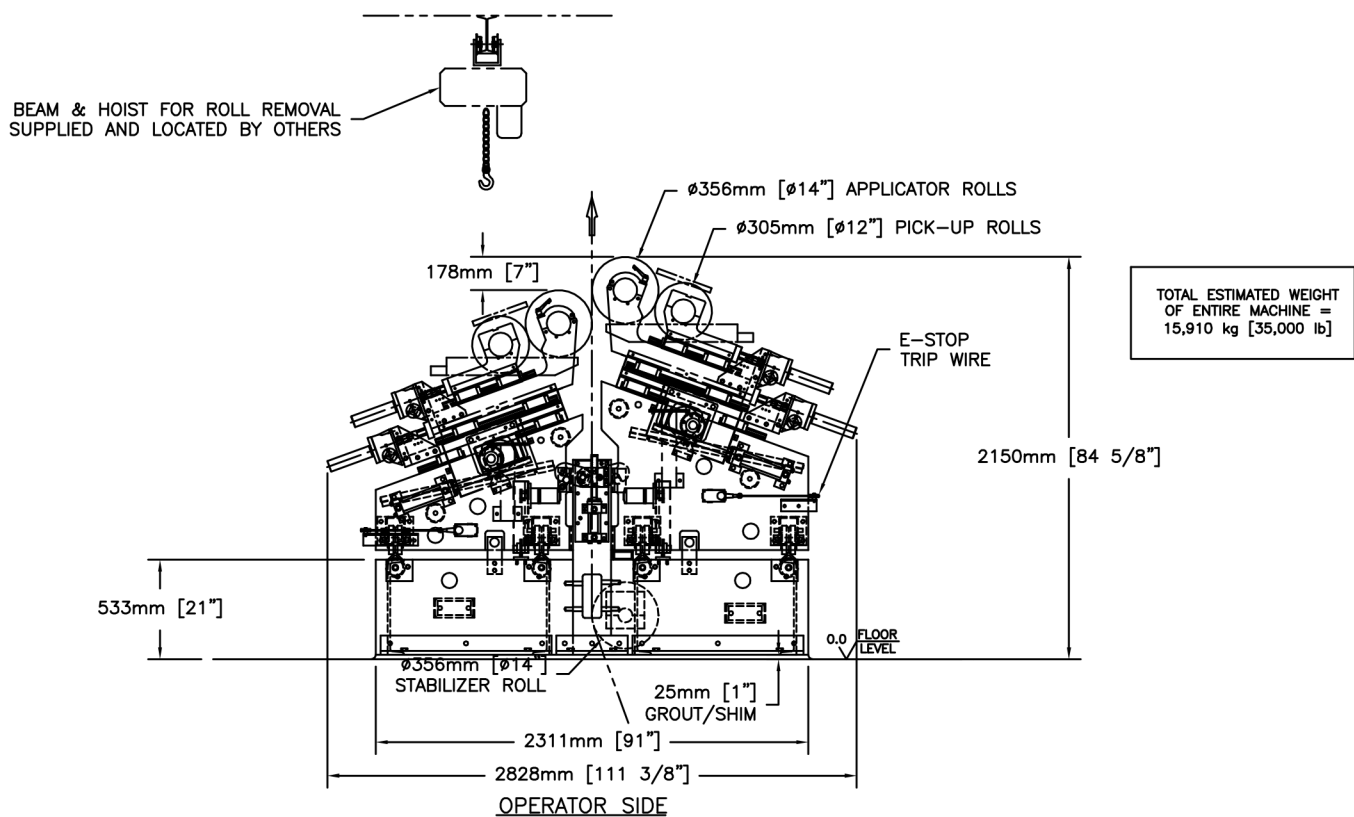
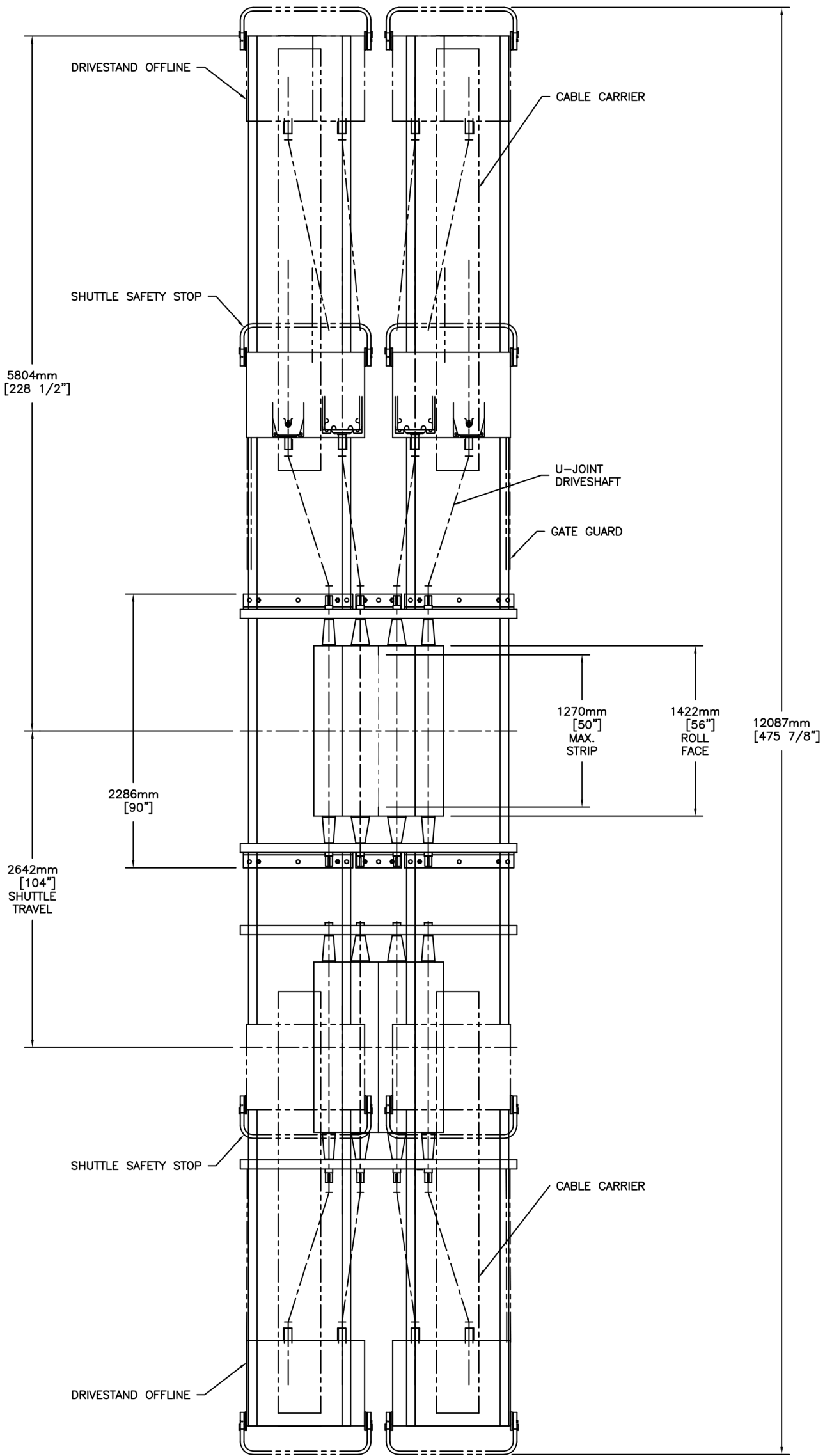


**NOTES:**

GEARBOXES, COUPLINGS, AND DRIVESHAFTS SUPPLIED BY GFG.  
 MOTORS OPTIONAL.  
 LAYOUT IS PRELIMINARY AND SUBJECT TO CHANGE.



ZONE	REV	DESCRIPTION	DATE	APPROVED

REVISIONS	
UNLESS OTHERWISE SPECIFIED	ALL DIMENSIONS IN MILLIMETERS
APPROVAL	DATE

DIMENSIONS	
INCH	[MM]
CHECKED BY	PROJECT ENG.
DATE	10-25-06
SCALE	1:20
Sussex, Wisconsin (262) 372-4515 VERTICAL SHUTTLE COATER PROPOSAL QS-3749-D SHEET: 1 OF 1	