

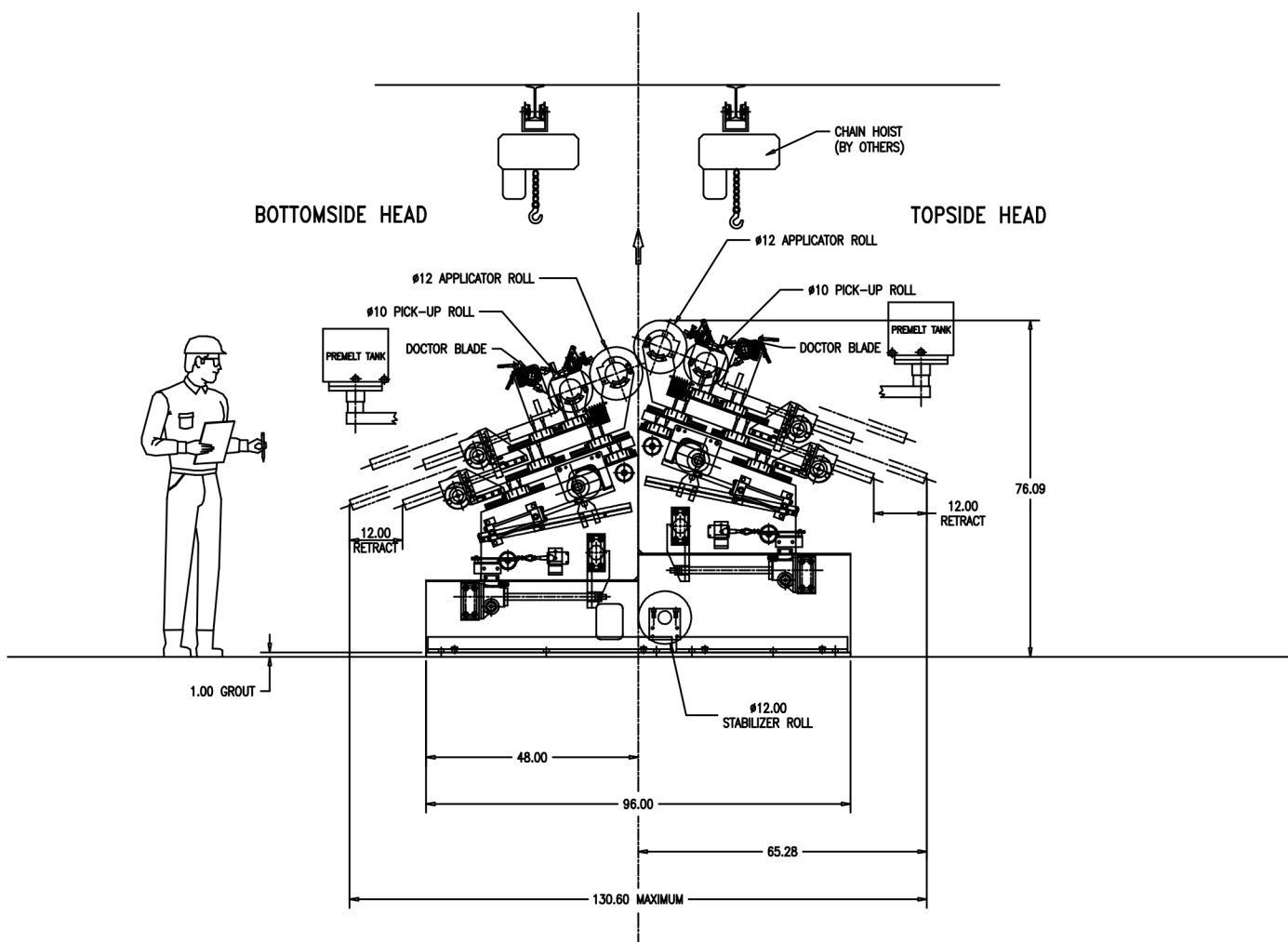
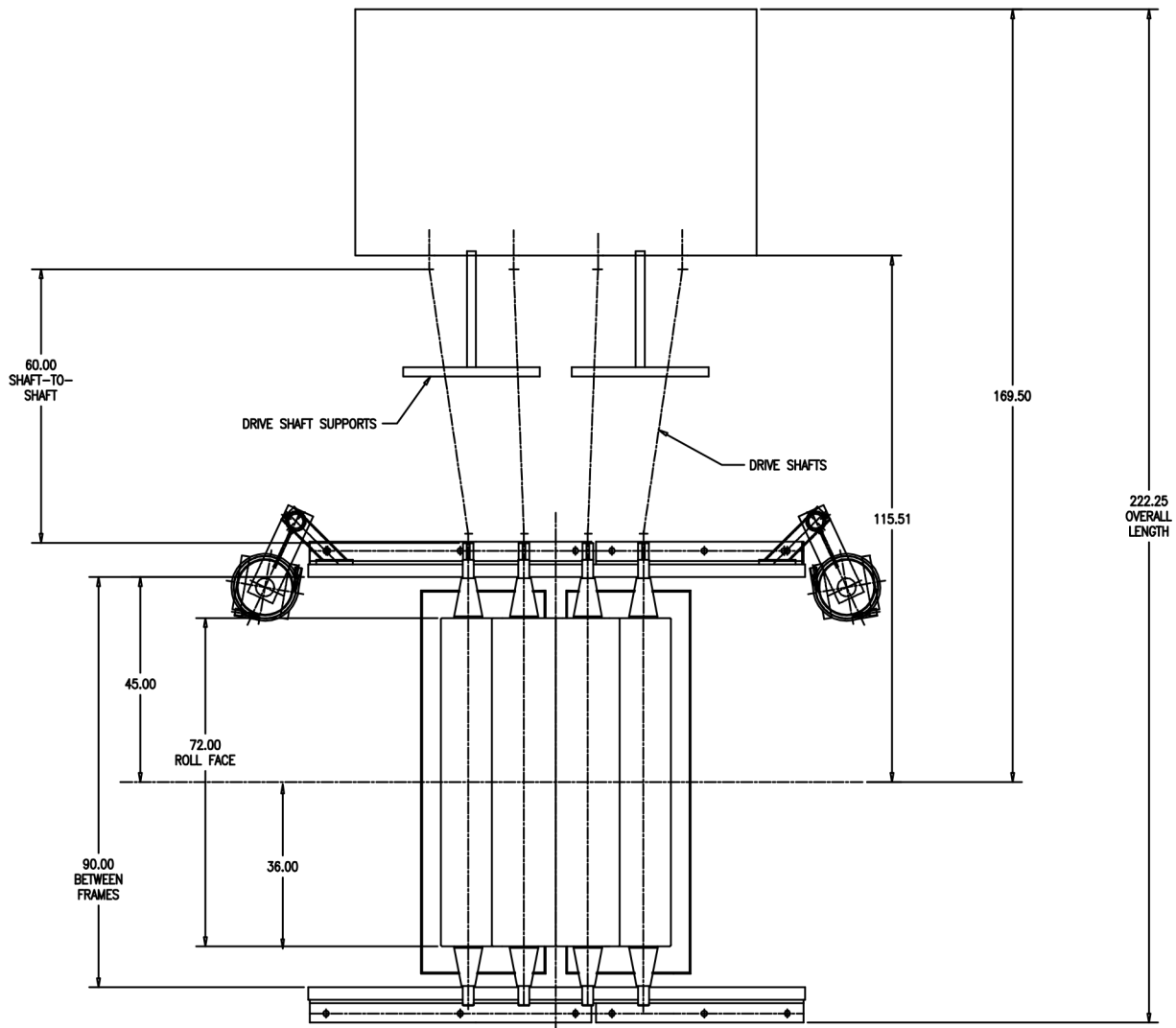
NOTES:

GEARBOXES, COUPLINGS, AND DRIVE SHAFTS ARE SUPPLIED BY GENCOAT.

DRIVESTAND LAYOUT IS PRELIMINARY PENDING RECEIPT OF CERTIFIED MOTOR DRAWINGS.

MOTORS ARE SUPPLIED BY OTHERS.

ALL DIMENSIONS ARE PRELIMINARY.



ZONE	REV	DESCRIPTION	DATE	APPROVED

REVISIONS	
1	UNLESS OTHERWISE SPECIFIED, DIMENSIONS ARE IN INCHES AND FRACTIONS.
2	ALL DIMENSIONS ARE TO BE TAKEN FROM THE UNLESS OTHERWISE SPECIFIED.
3	ALL DIMENSIONS ARE TO BE TAKEN FROM THE UNLESS OTHERWISE SPECIFIED.
4	ALL DIMENSIONS ARE TO BE TAKEN FROM THE UNLESS OTHERWISE SPECIFIED.
5	ALL DIMENSIONS ARE TO BE TAKEN FROM THE UNLESS OTHERWISE SPECIFIED.
6	ALL DIMENSIONS ARE TO BE TAKEN FROM THE UNLESS OTHERWISE SPECIFIED.
7	ALL DIMENSIONS ARE TO BE TAKEN FROM THE UNLESS OTHERWISE SPECIFIED.
8	ALL DIMENSIONS ARE TO BE TAKEN FROM THE UNLESS OTHERWISE SPECIFIED.
9	ALL DIMENSIONS ARE TO BE TAKEN FROM THE UNLESS OTHERWISE SPECIFIED.
10	ALL DIMENSIONS ARE TO BE TAKEN FROM THE UNLESS OTHERWISE SPECIFIED.
11	ALL DIMENSIONS ARE TO BE TAKEN FROM THE UNLESS OTHERWISE SPECIFIED.
12	ALL DIMENSIONS ARE TO BE TAKEN FROM THE UNLESS OTHERWISE SPECIFIED.
13	ALL DIMENSIONS ARE TO BE TAKEN FROM THE UNLESS OTHERWISE SPECIFIED.
14	ALL DIMENSIONS ARE TO BE TAKEN FROM THE UNLESS OTHERWISE SPECIFIED.
15	ALL DIMENSIONS ARE TO BE TAKEN FROM THE UNLESS OTHERWISE SPECIFIED.
16	ALL DIMENSIONS ARE TO BE TAKEN FROM THE UNLESS OTHERWISE SPECIFIED.

DIMENSIONS	INCH	[MM]
CHECKED BY	OKM	8/4/06
DATE	8/4/06	
SCALE: DWG. NO.	QS-3711-D	
TITLE	VERTICAL WAXER	PROPOSAL

 Sussex, Wisconsin (262) 372-4515	SCALE: DWG. NO. QS-3711-D
---	------------------------------